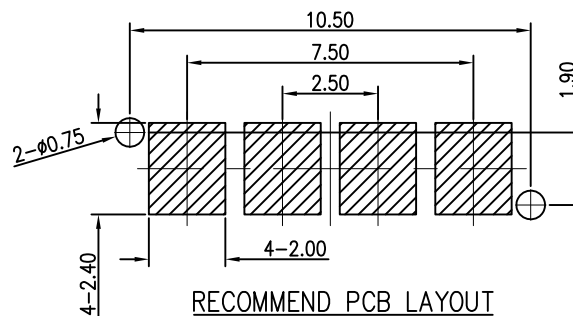
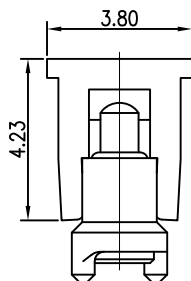
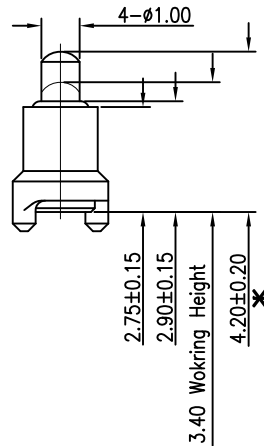
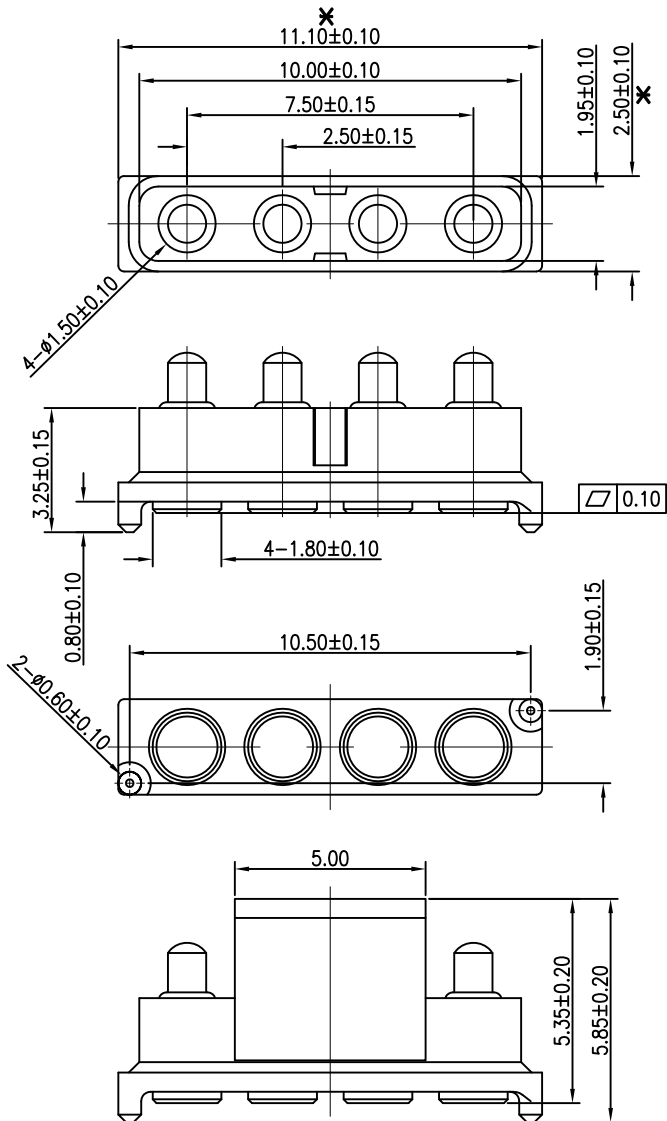


NOTES:

- Materials:
  - .Housing&Cap: Black HTN(UL94V-0)
  - .Plunger: Brass C3604
  - .Barrel: Brass C3604
  - .Spring: SUS304
- Plating:
  - .Contact Surface:10 micro-inch minimum Au over 50~100 micro-inch Ni.
- Electrical
  - .Rated Current & Voltage: DC 50V; 1A
  - .Contact Resistance: 50 mohm maximum at Working Height(Quiescence)
- Mechanical
  - .Spring Force: 120g±20% at Normal Working Height
  - .Durability: 10,000 cycles(minimum)
- .When the current is greater than 1A then need to increase the time delay circuit(3 second)
- .To ensure the best usage, please operate it based on the working Height.
  - .Based on the Engineering Drawings, shall not exceed the maximum allowed compression.
- .RoHs and HF compliant product.
- .Operation temperature at -40°C to +105°C

NOTES: ALL DIMENSIONS AND NOTES MARKED \* ARE CRITICAL AND MUST BE CHECKED IN ACCORDANCE WITH QUALITY DOC. QI-02A



RECOMMEND PCB LAYOUT  
Layout Tolerance: ±0.05mm

Leo	4	23.04.14	A427
Leo	3	13.11.13	A419
Allan	2	28.02.08	A113
Allan	1	01.08.06	-

NAME	ISS.	DATE	C/NOTE
------	------	------	--------

APPROVED: B.Lim

CHECKED: D.P

DRAWN: Leo

CUSTOMER REF.:

ASSEMBLY DRG:

**HARWIN**

HARWIN USA  
TEL: 603 893 5376  
FAX: 603 893 5396  
mis@harwin.com

HARWIN Europe (UK)  
TEL: 023 9231 4545  
FAX: 023 9231 4590  
mis@harwin.co.uk

HARWIN Asia  
TEL: +65 6 779 4909  
FAX: +65 6 779 3868  
mis@harwin.com.sg

THIS DRAWING AND ANY INFORMATION OR DESCRIPTIVE MATTER SET OUT HEREON ARE CONFIDENTIAL AND COPYRIGHT PROPERTY OF THE HARWIN GROUP AND MUST NOT BE DISCLOSED, LOANED, COPIED OR USED FOR MANUFACTURING, TENDERING OR FOR ANY OTHER PURPOSE WITHOUT THEIR WRITTEN PERMISSION.

TOLERANCES  
0~6.0 = ±0.05mm  
>6~30 = ±0.10mm  
>30~120 = ±0.15mm  
X. = ±2°  
X.X = ±1°  
X.XX = ±0.5°  
UNLESS STATED

MATERIAL: SEE NOTES  
FINISH: SEE NOTES  
S/AREA: mm?

TITLE: PITCH 2.5mm HEIGHT 4.2mm 4-POS POGO PIN CONNECTOR  
DRAWING NUMBER: P20-0445R  
SHT 1 OF 1